

Type F BOP Cup Tester

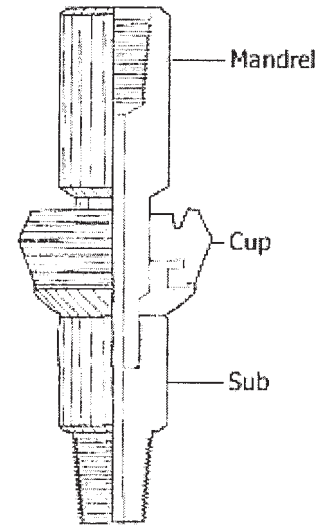
Crossover cup testers are standard and made of high quality alloy steel and elastomers. When assembled with the appropriate cup for the casing weight range, test pressures up to 10,000 psi may be applied.

Cup tester is attached to drill pipe and lowered into the casing below the wellhead to pressure test the annular blowout preventer and the wellhead.

- Cups are interchangeable
- Element rating compatible with casing
- Mandrel and sub come standard with IF threads
- Manufactured in accordance with API and ISO standards

When ordering or requesting a quote, please specify;

- Assembly Number or Specify OD
- Connection Specification
- Working Pressure
- Type of Service



Cup Tester Technical Data

Assembly Number	Mandrel Size Box xPin	Casing Size in / mm	Casing Wt. Range lb / ft	Total Load Capacity b/k\g	Cup Pressure Area sq in / sq mm	Cup Part Number
30594-01	2.375" IF	4.500 / 114	9.5 / 15.1	270,000 / 122,471	9.5 / 6129	30591
30594-02	2.375" IF	5.000 / 127	15.0 / 23.0	270,000 / 122,471	12.4 / 8000	30592
30594-03	2.375" IF	5.500 / 140	14.0 / 23.0	270,000 / 122,471	16.0 / 10,323	30593
30605-01	3.500" IF	6.625 / 168	17.0 / 32.0	500,000 / 226,799	18.6 / 12,000	30597
30605-02	3.500" IF	7.000 / 178	17.0 / 26.0	500,000 / 226,799	23.5 / 15,161	30598-02
30605-03	3.500" IF	7.000 / 178	29.0 / 38.0	500,000 / 226,799	20.4 / 13,161	30598-01
30605-04	3.500" IF	7.625 / 194	24.0 / 26.4	500,000 / 226,799	28.8 / 18,581	30599-01
30605-05	3.500" IF	7.625 / 194	29.7 / 39.0	800,000 / 226,799	27.5 / 17,742	30599-02
30600-04	4.500" IF	8.625 / 219	40.0 / 49.0	800,000 / 362,878	29.4 / 18,968	30606-01
30600-01	4.500" IF	9.625 / 244	32.3 / 40.0	800,000 / 362,878	44.1 / 28,452	306001-01
30600-02	4.500" IF	9.625 / 244	43.5 / 53.5	800,000 / 362,878	42.4 / 27,355	30601-02
30600-05	4.500" IF	10.750 / 273	32.75 / 51.0	800,000 / 362,878	63.8 / 41,161	30607-01
30600-06	4.500" IF	10.750 / 273	55.5 / 65.7	800,000 / 362,878	58.9 / 38,000	30607-02
30600-07	4.500" IF	13.375 / 340	48.0 / 61.0	800,000 / 362,878	109.5 / 70,645	30579-02
30600-08	4.500" IF	13.375 / 340	68.0 / 72.0	800,000 / 362,878	103.3 / 66,645	30584
30600-09	4.500" IF	16.000 / 406	55.0 / 84.0	800,000 / 362,878	165.0 / 106,451	374819
30600-12	4.500" IF	18.625 / 473	87.5	800,000 / 362,878	230.0 / 148,387	30598-02
30600-10	4.500" IF	20.000 / 508	94.0 / 133.0	800,000 / 362,878	300.0 / 193,548	33543

Only the most popular sizes are shown in the table above.